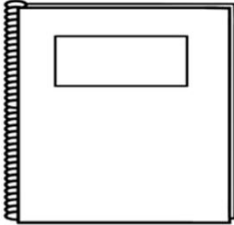


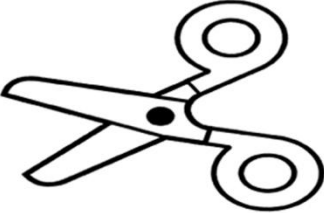
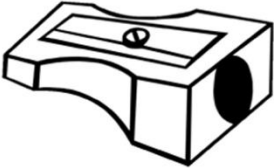
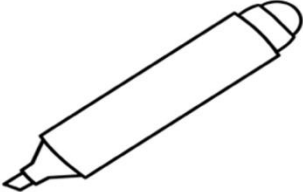




A) Colour your pictures

It`s...	
	
	
	

B) Listen to your friend and colour the pictures .

What colour is your ?	
